

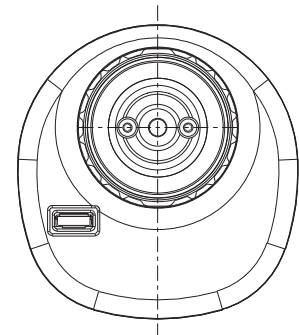
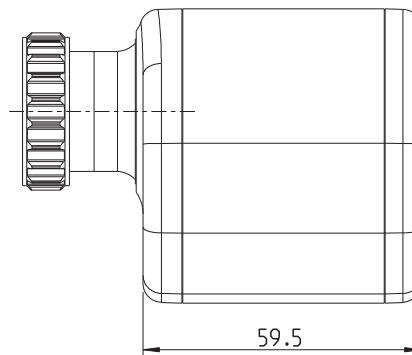
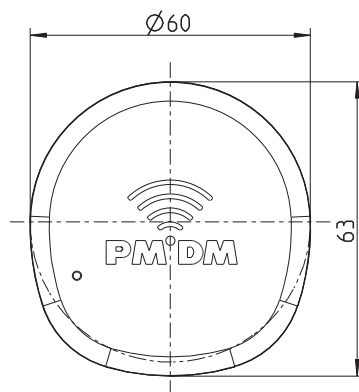


Smart Valve

SV-T-EO

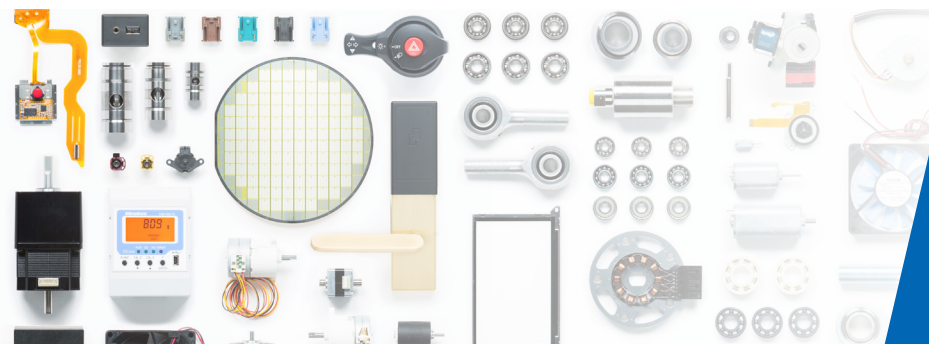
Energy Harvesting

Valve Type	Speed of adjustment [mm/s]	Adjustment force [N]	Min. heating water temperature [°C]
SV-T-EO	0.24	> 80	35



Technical Data:

- Body Dimensions (WxHxD): ca. 60 x 63 x 59,5 mm
- Overall Dimensions (with Flange): ca. 60 x 63 x 86,2 mm
- Total Weight: 225 g
- Heating Connector: M30 x 1,5 Standard
(adapters for all common systems on request)
- Stroke length: > 3.8 mm
- Operation Stroke: 1,3 mm typical (software defined)
- Stall Force: > 80 N typical (software defined)
- Noise: < 35 dBA
- Wireless Interface: EnOcean 868 MHz, EEP A5-20-01
- User Interface: Push Button, LED, Micro-USB
- Self Starter at Heating Period: YES
- Communication Protocols: EnOcean (other protocols on request)



MinebeaMitsumi
Passion to Create Value through Difference

Minebea-Weg 1
78052 Villingen-Schwenningen
GERMANY
www.minebeamitsumi.eu

Phone: +49 7721 997-100

© MinebeaMitsumi Technology Center Europe GmbH 2019,
technical changes reserved