

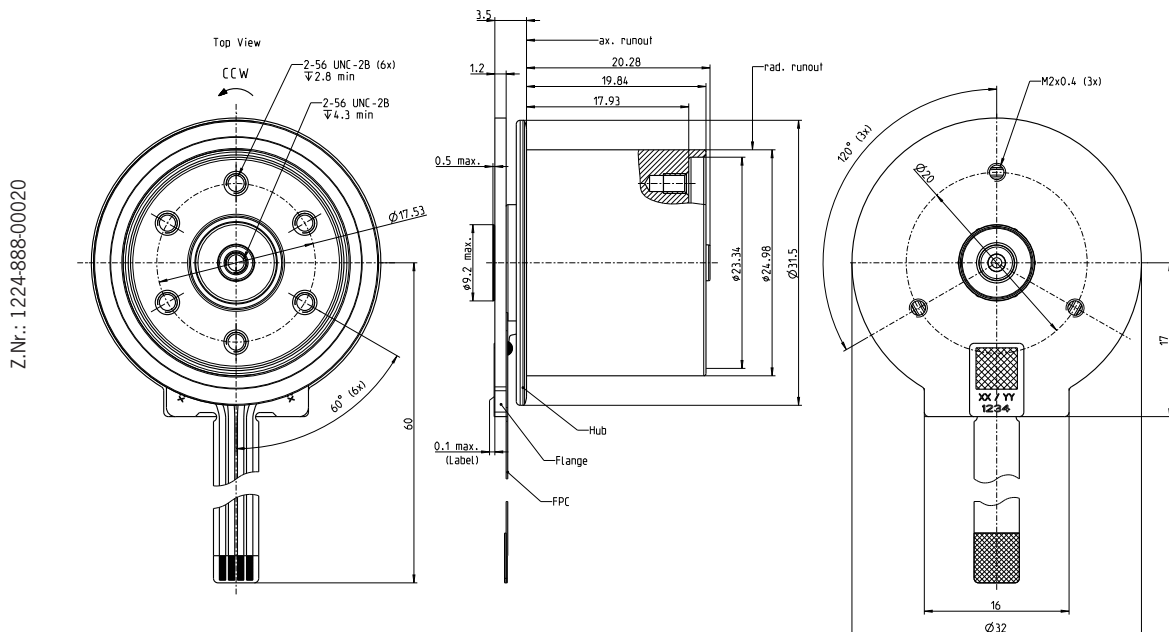


# BLDC FDB FCC2

## Brushless 3 – Phase DC Motor

Rated voltage*	Rated speed*	Power at rated speed	Friction torque at rated speed	Current at rated speed (without load)
[ V ]	[ rpm ]	[ W ]	[ mNm ]	[ A ]
12	7200	1.49	1.97	0.22

\* These parameters are just example values at 23 °C. They depend on individual requirements and electronics used.



### General information

- Mounting position: arbitrary
- Bearing system: FDB (Fluid Dynamic Bearing)
- Torque constant kt: 8.95 mN · m/A
- Motor weight: max. 70 g
- Polar rotor inertia: 4.6 x 10<sup>-6</sup> kgm<sup>2</sup>
- Temperature range:
  - operating: -40 °C to +105 °C\*\*
  - non operating: -40 °C to +105 °C\*\*
- Direction of rotation: CCW only
- Number of poles/slot: 8/12
- Speed range: 1000 - 12000 rpm\*\*
- Recommended load: < 180 g\*\*

### Options

- Integrated drive electronic: No
- Planetary gearbox: No
- Sensorless operation: Yes

### Features

- Fluid dynamic bearing technology
- Low noise, sound power overall max. 20 dB(A) re 1 pW
- Low vibration
- Low NRRO < 40 nm
- Wobble error < 3"
- Run out rotor
  - axial: < 10 µm
  - radial: < 10 µm
- Static imbalance < 35 mg · cm

\*\* Operating conditions and load depending on specific application requirements.

