

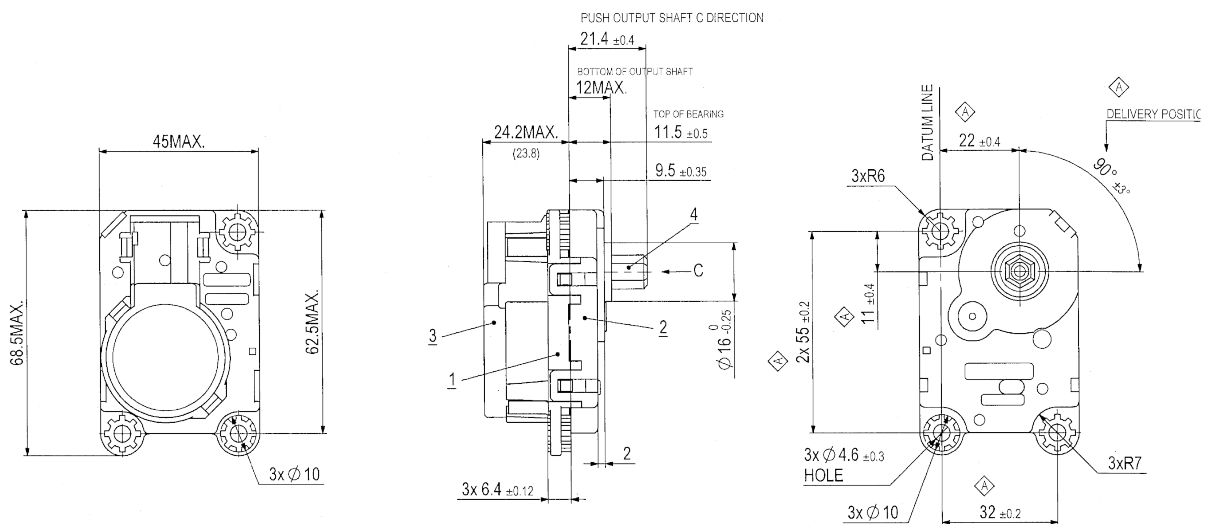


# HVAC - Actuator

## HAD

HVAC Actuator Direct (HAD)

Product Name	Rated Voltage [ V ]	Gear Ratio	Nominal Speed [ rpm ]	Coil Resistance [ $\Omega$ ]	Torque [ Ncm ]	Detent Torque [ Ncm ]	Noise [ dB(A) ]	Temp. Range [ °C ]
HAD - 120	12	120	5	70	57	28	< 30	-40 ~ +85
HAD - 225	12	225	2.67	84	97	60	< 30	-40 ~ +85
HAD - 360	12	360	1.67	84/100	145	125	< 29	-40 ~ +85
HAD - 360	14	360	1.67	320	148	98	< 29	-40 ~ +85



### General informations:

- Weight [ g ]: < 90
- Steps per Revolution: 7200
- Step Angle [ ]: 0.05
- Drive Mode: Unipolar

### Features of HAD:

- Low Noise
- Cost performance & Stable quality
- Global NMB network for Customers

### Individualization:

- Various output shafts available
- Different connector types available
- End Stop on housing

